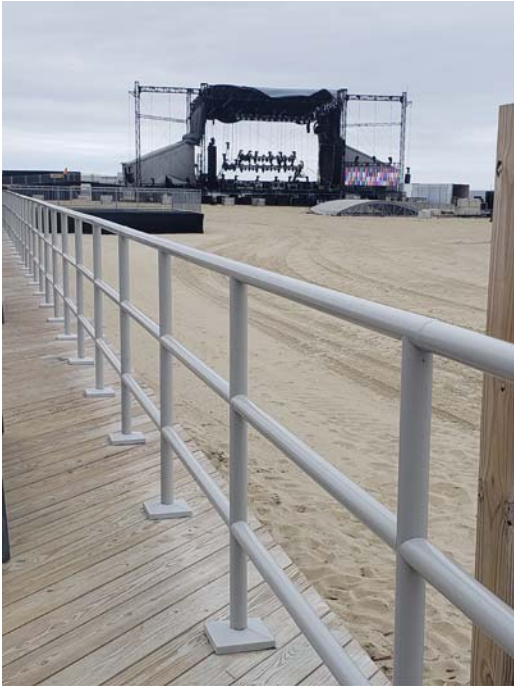


EXISTING BULKHEAD

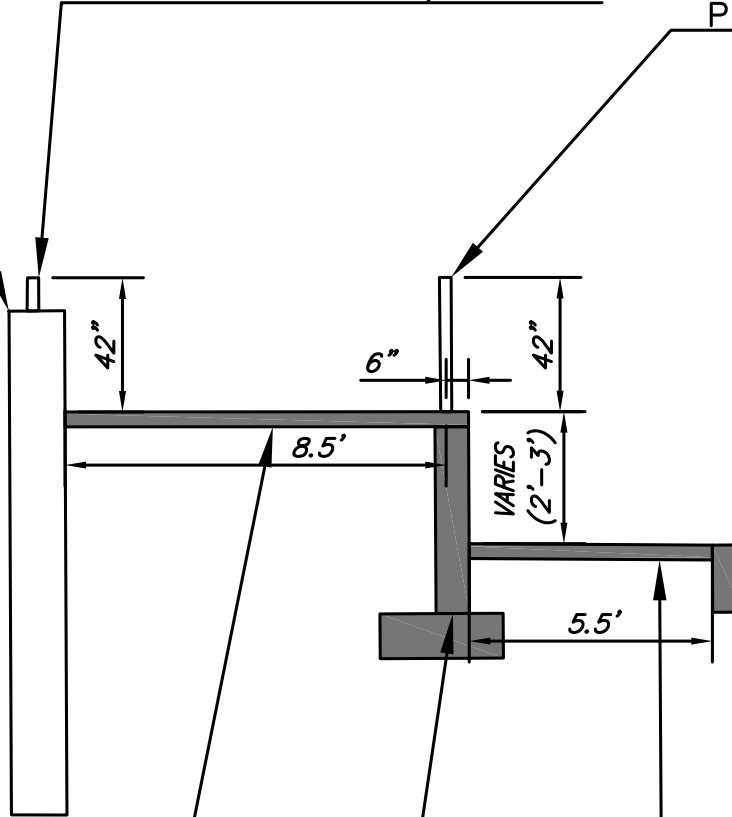
PROPOSED RAILING, 14" HIGH

PROPOSED RAILING, 42" HIGH

EXISTING CURB
TO REMAIN



PROPOSED RAILING



PROPOSED CONCRETE SIDEWALK

PROPOSED CONCRETE RETAINING WALL

PROPOSED CONCRETE SIDEWALK



MARINE PLACE WEST - ELEVATED WALKWAY TYPICAL CROSS SECTION

BOROUGH OF HIGHLANDS, MONMOUTH COUNTY, NJ